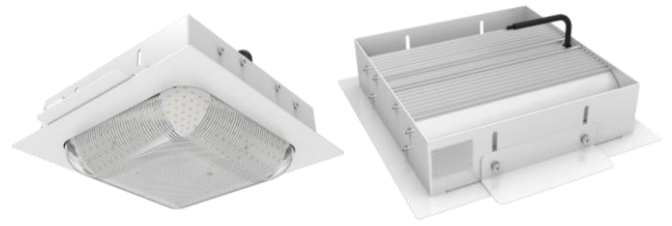


T-Bar

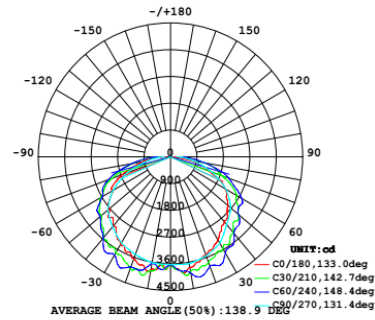
120W LED Canopy Light Specification



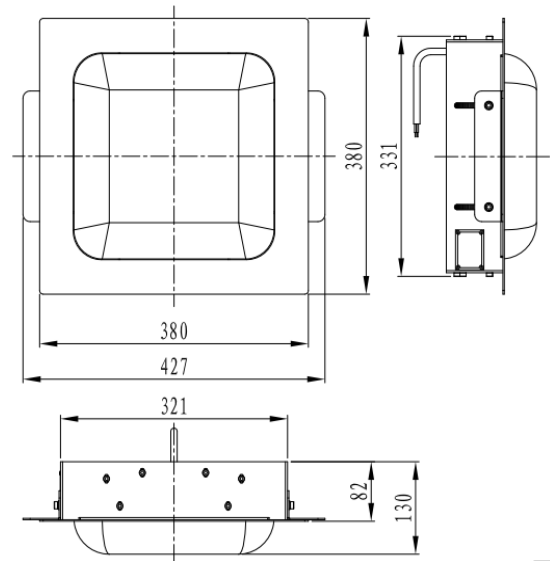
Parameters

Product Model	YHL-CP-120(SL)
LED Chip Brand	Nichia
Light Efficiency	≥130lm/W
Luminous Flux	>15600lm
Color Temperature	4500 ~ 5500K(2500 ~ 5500K optional)
Beam Angle	140°
Total Power Consumption	125W±5W
Output Current	3.4A(constant current)
Output Voltage	DC 18 ~ 36V
Net Weight	6.2kg±0.2kg
Light Dimensions	L427mm×W380mm×H130mm
Light Package Dimensions	L500mm×W460mm×H210mm

Light Distribution



Physical Dimensions



≥0.95	70 Ra	IP65	≥100000 Hrs	AC 100-277V	47-63Hz
Power Factor	CRI	IP Level	TM-21 (L ₇₀)	Input Voltage	Power Frequency

Others

Power Efficiency	Working Temperature (Environment)	Heat Sink Surface Temperature
>93%	-40 ~ +55°C	54°C(Room Temperature 23°C)
Fixture Efficiency	Working Humidity (Environment)	Luminaire Base Temperature
≥90%	15% ~ 90%RH	68°C(Room Temperature 23°C)
Total Harmonic Distortion	Storing Condition	LED Power Consumption
≤15%	-40°C ~ +65°C	115W±5W

Suitable for Parking lot , Mansion outdoor scene, Gas station, Stadium and Other Lighting Purposes